



Acciaio Emergency LED

LED technology
strong and smart
for the highest-level of lighting

ACCIAIO
LED

Acciaio is an high performance LED emergency lighting developed to work in hard conditions, like industrial applications, exterior areas, explosive atmospheres.

With a luminous flux of 1600lm, controlled by a 4-cell anti-glare aluminum reflector, Acciaio Emergency LED is the top on the market.

The strong structure is the perfect mix of high technology materials like Steel, Technopolymer and Mircoprimatic tempered glass. The result is a strong luminare IK09, IP66, suitable for installations where ATEX is required.

In addition, the Ice Pack system is easily integrated in the device for installation in extreme conditions, where temperature can reach -40° .



CONFORMS TO
ATEX 2014/34/EU DIRECTIVE
FOR ZONES 22 AND 02
with accessories to be ordered
separately





GENERAL CHARACTERISTICS

- Equivalent power*** 24
- Autonomy** 1h, 2h, 3h
- Operation** Maintained (SA), Not Maintained (SE)
Rest Mode: with optional control device (cod. 12101)
- Standard** EN 60598-1, EN 60598-2-2, EN 60598-2-22, EN 1838, EN 50172, ATEX 2014/34/EU
- ATEX Classification** CE EX II 3G Ex nA IIB T4 Gc, CE EX II 3D Ex tc IIIC T80°C Dc
- Protection level** IP66, IK09
- Environmental temp. SE** 0 ÷ +50 °C
- Environmental temp. SA** 0 ÷ +40 °C
- Temp. with ICE PACK** -40 ÷ +50 °C (+40°C SA Model)
- Installations** wall, ceiling, suspension, electrified rail
- Body** Grey RAL 7035 polyester powder coated steel sheet
- Heads** Tecnopolymer PC+PBT
- Optic** Anti-glare aluminum diffusing
- Diffuser** tempered micro-prismatic high transmission (3mm) glass
- Light source** LED

* Equivalent power for comparison with fluorescent lighting fixture

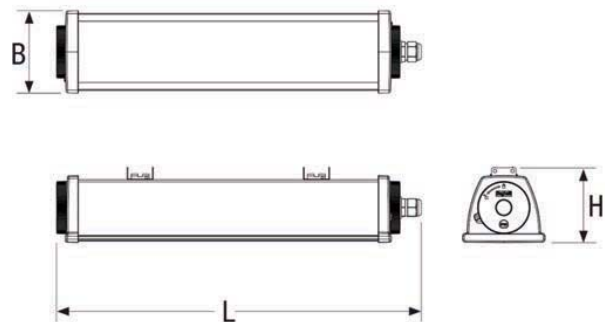
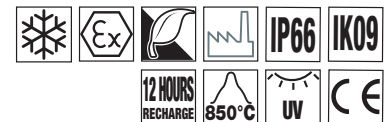
Acciaio Emergency LED

Emergency light

Acciaio Emergency LED is the answer where strong luminaires are required for high risk applications. The steel body and the glass diffuser offer excellent mechanical strength (IK09) and protection against aggressive chemical agents. In the industrial context, it is perfect for installations in explosive atmosphere environments created by alterations in gassy substances and the presence of air-suspended combustible powder (pursuant to ATEX 2014/34/EU regulation for zones O2 and 22).

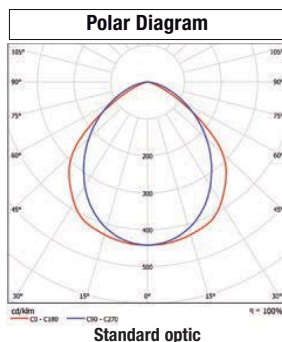
The optical system consists of a reflector that is subdivided in 4 cells for excellent light distribution and a special micro-prismatic glass with extremely high light transmission for greater visual comfort.

Acciaio Emergency LED is suitable for use in demanding contexts including outside environments that are directly exposed to the elements. It is designed to resist mechanical vibrations and electromagnetic disturbances that are typical of industrial environments. The special steel brackets allow the device to be positioned as required. A compatible accessory, ordered separately, warms the battery and permits installation in sites with temperatures as low as -40°C.

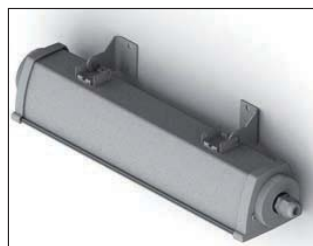


Power* W	• Dimensions (mm) •			Weight max kg
	L	B	H	
24, 24S	464	108	98.5	3.2

* Equivalent power for comparison with fluorescent lighting fixture



WALL INSTALLATION



ADJUSTABLE BRACKET

Accessories

supplied

Cod. ord.	Descrizione
-	ADJUSTABLE BRACKETS FOR WALL INSTALLATION

Accessories

to be ordered separately

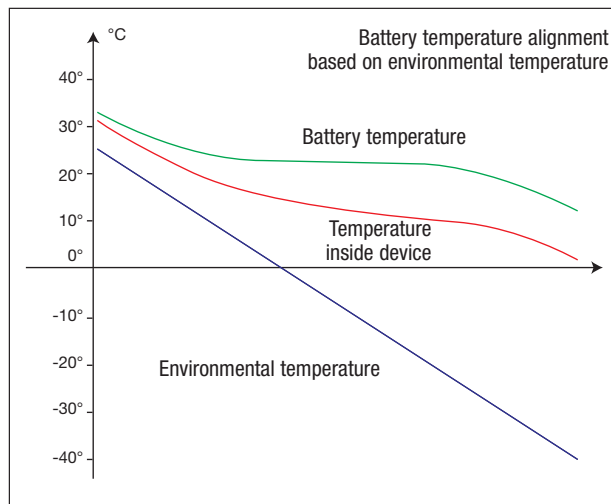
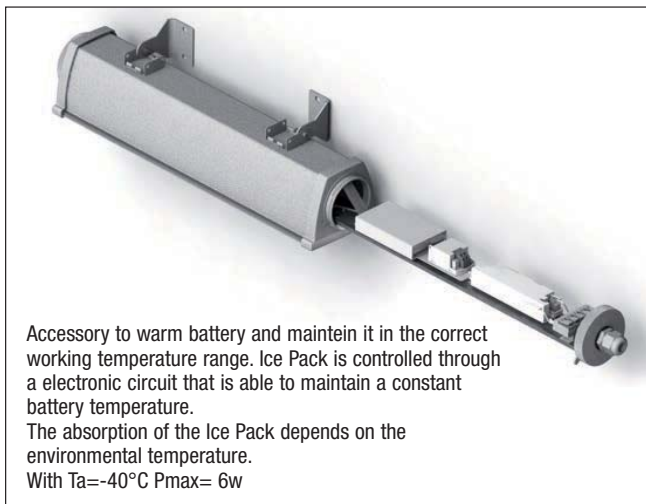
Order code	Description
19046	ICE PACK BATTERY (for order code 15030-15031 only)
19064	SCREEN BAND DX/SX/BS ACC EM
12101	REMOTE CONTROL (RM INHIBIT FUNCTION)





LOW TEMPERATURE INSTALLATION WITH ICE PACK

(for order code 15030-15031 only)



19046 ICE PACK

to be ordered separately

LG Logica

W*	Order code	Description	Model	Autonomy	Battery	N° LED	Flux** SE lm	Flux SA lm	Absorption max W	Weight kg	Pack single
24	15030	ACC EM LED 24 LG SE/SA 123H	SE/SA	1h/2h/3h	NiMh 7.2V 1.2Ah	32	400/275/200	220	4/4.5	1.4	1

LGFM Logica FM

W*	Order code	Description	Model	Autonomy	Battery	N° LED	Flux** SE lm	Flux SA lm	Absorption max W	Weight kg	Pack single
24	15031	ACC EM LED 24 LGFM SE/SA 123H	SE/SA	1h/2h/3h	NiMh 7.2V 1.2Ah	32	400/275/200	220	4/4.5	1.4	1

LG Granluce Logica

W*	Order code	Description	Model	Autonomy	Battery	N° LED	Flux** SE lm	Flux SA lm	Absorption max W	Weight kg	Pack single
24	15032	ACC EM LED 24 LGAR SE 123H S	SE	1h/2h/3h	NiMh 7.2V 1.7Ah	32	800/400/270	-	1.7	1.5	1

LGFM Granluce Logica FM

W*	Order code	Description	Model	Autonomy	Battery	N° LED	Flux** SE lm	Flux SA lm	Absorption max W	Weight kg	Pack single
24	15033	ACC EM LED 24 LGFMAR SE 123H S	SE	1h/2h/3h	NiMh 7.2V 1.7Ah	32	800/400/270	-	1.7	1.5	1

SLG

W*	Order code	Description	Model	Autonomy	Battery	N° LED	Flux** SE lm	Flux SA lm	Absorption max W	Weight kg	Pack single
24	17455	ACC EM LED SLG 3W	-	-	-	32	400	-	4	1.4	1

SICURO 24V

W*	Order code	Description	Model	Autonomy	Battery	N° LED	Flux** SE lm	Flux SA lm	Absorption max W	Weight kg	Pack single
24	17498	ACC EM LED SLGS 24W 6/12W	-	-	-	32	800/1600	1600	8/16	1.4	1

HT Mains voltage power supply (AC 230V 50 Hz - DC 216V)

W*	Order code	Description	Model	Autonomy	Battery	N° LED	Flux** SE lm	Flux SA lm	Absorption max W	Weight kg	Pack single
24	17452	ACC EM LED HT 12W	-	-	-	32	1600	1600	12	1.5	1

* Equivalent power for comparison with fluorescent lighting fixture **Minimum Flux guaranteed according to EN 60598-2-22





Installation in applications subject to the ATEX 2014/34/EU DIRECTIVE as well as the elevated height of installation demand top class light engineering performance.
The installation of the ICE PACK accessory completes the safety profile for mountain areas or those subjected to low temperatures.

