



Lungalargaluce Built-in

LLARG DWRC CT 24W SA LF

High-performance emergency lighting spotlight with three interchangeable lenses for different light beams.

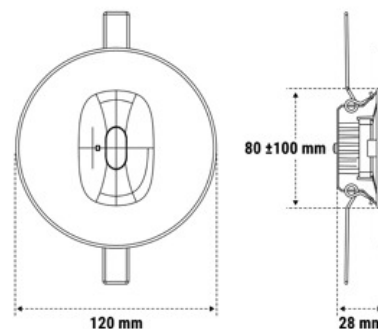
Control system CT

Order code 19338

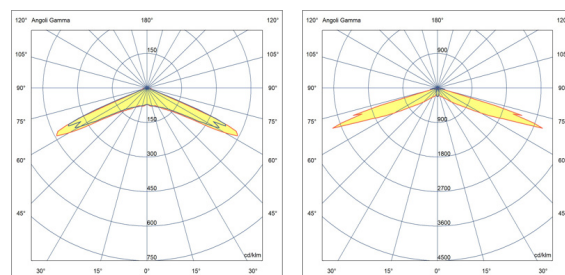
EAN 8002219744654

Technical specifications

Supply voltage type	AC
Nominal voltage (AC)	230 Vac
Absorbed SE (max)	5 W
Control system	CT
Autonomy	1h, 1.5h, 2h, 3h, 8h
Battery included	Yes
Battery type	LiFe
Battery	LiFe 6.4V 0.6Ah
Charging time	6 h
Autonomy test time	60 min
Autonomy test frequency	182 days
Test frequency	28 days
Ambient temperature (min)	-10 °C
Ambient temperature (max)	45 °C
Insulation class	I
CCT light tone	4000 K
Optical protection grade	IP42
LED number	1
CRI color rendering	>70
Diameter	120 mm
Operation mode	NM/M
Equivalent power	24W
Flux SA	220 lm
Flux SE	250 lm, 200 lm, 150 lm, 80 lm, 50 lm
Frequency (max)	60 Hz
Frequency (min)	50 Hz
Glow wire strength	850 °C - 30s.
Light sensor	Yes
Lens efficiency	87 %, 95 %
Mounting	Recessed, False Ceiling Recessed
Nominal voltage (DC)	230 Vdc
Number of Batteries	1
Rest mode	Yes
Voltage supply range (max)	253 V
Voltage supply range (min)	207 V



INVERTER



Installation and applications

Environment **Offices**

Application **Offices, Public Areas, Shops**

Mechanical specifications

Height	28 mm
Weight	0.8 Kg
Cutout length	80 mm
Body material	Polycarbonate
Colour housing	White RAL 9010
Lens material	PMMA transparent thermoplastic
Box protection grade	IP20
Protection grade IP	IP20/IP42
Protection grade IK	IK07

Certifications and norms

UK SI 2021 No. 1095, EN IEC 55015:2019 + A11:2020, EN IEC 61000-3-2 :2019, EN 61547:2009, EN 62471:2008, EN IEC 60598-1:2021, EN 60598-2-2:2012, EN 60598-2-22:2014 + AC:2015 + AC:2016-05 + AC:2016-09 + A1:2020, EN IEC 63000:2018, EN 62493:2010

Accessories



15036
MODULO LG



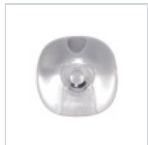
15038
MODULO DALI



15037
MODULO LGFM



F95808
LENTE LARGALUCE 12M



F95819
LENTE LARGALUCE 7M

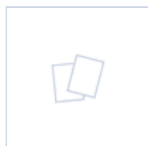


F95815
LENTE ASIMMETRIC
LLL/PLURALUCE



F95807
LENTE LUNGALUCE 12M

Spare parts



415466001
LiFe 6.4V 0.6AH 14500 PACK T